

**New Product**

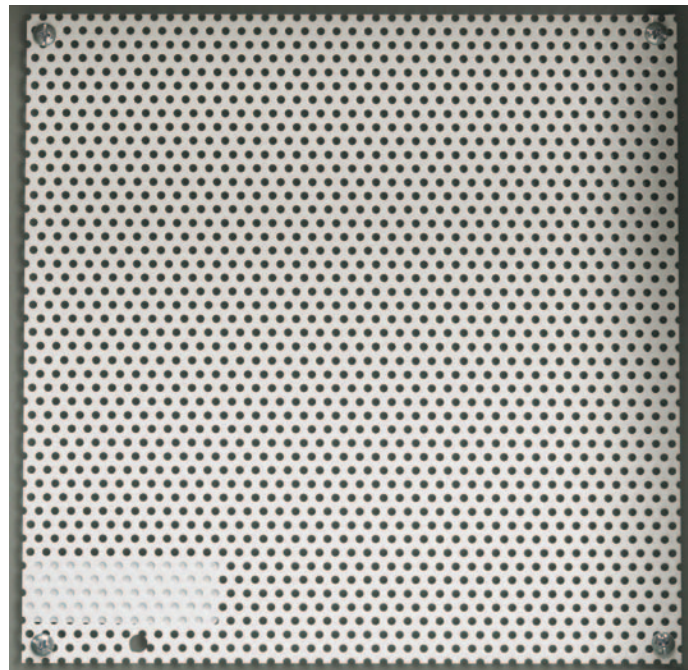


# Enclosures

**Type 1 Security Enclosure  
with Perforated Panel**

**ENCPE-08**

**COOPER B-Line**



## Type 1 Security Enclosure w/ Perforated Panel - Data Sheet



### Application

- Houses electrical and electronic controls and instruments in an environment which does not require oil, dust, or water tight specifications
- Protects against contact with enclosed equipment

### Features

- Door has keyed lock quarter turn latch, two (2) keys included
- Door includes foam corner padding
- Includes removable 16 gauge white perforated panel
- Enclosure body has mounting holes on the back which are accessible with or without the panel installed
- Cover is secured to the body with a continuous hinge on one side and a flush latch on the opposite side

### Construction

- Enclosure and cover are fabricated from code gauge steel (see table)
- No knockouts
- Includes panel grounding hardware kit

### Finish

- Wash and phosphate undercoat
- ANSI 61 gray polyester powder finish

### Standards

- UL 50 listed, Type 1
- CSA C22.2 No. 40 certified, Type 1
- Conforms to NEMA standard for Type 1
- IEC 60529, IP30

### Accessories

- Touch-up paint (84034)
- Self-tapping screws (10168)

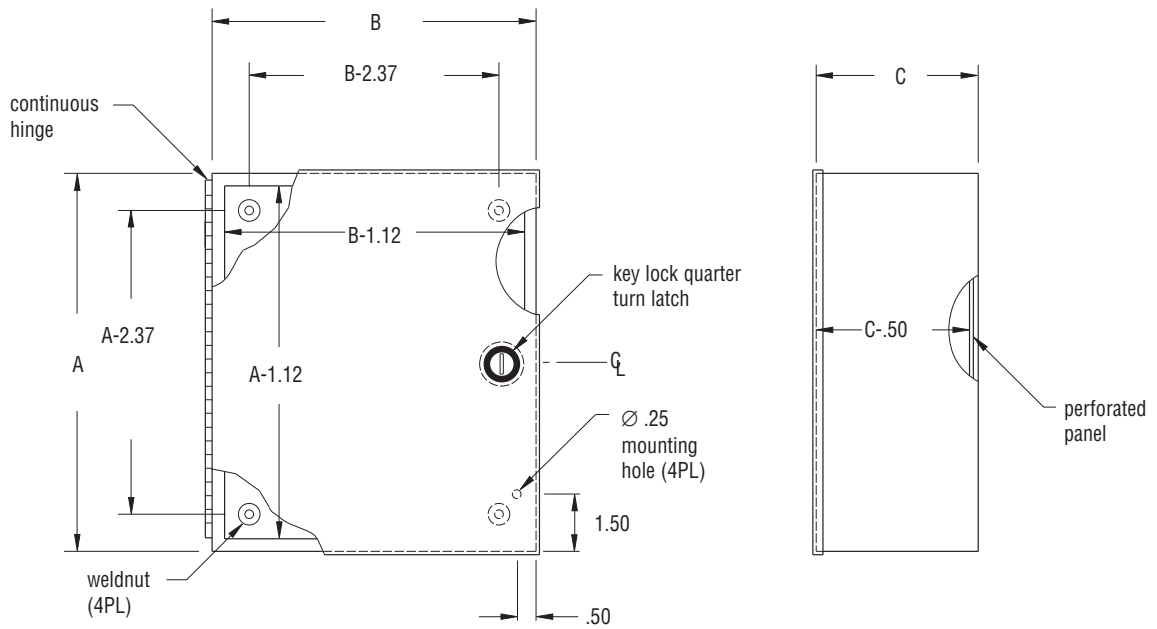
### Service

- SD Code = Service Delivery Code
  - A = 1-2 days
  - B = 2-5 days
  - C = 5-10 days
  - D = 10-15 days
  - E = 15-20 days
- (s) Items likely to be available from stock

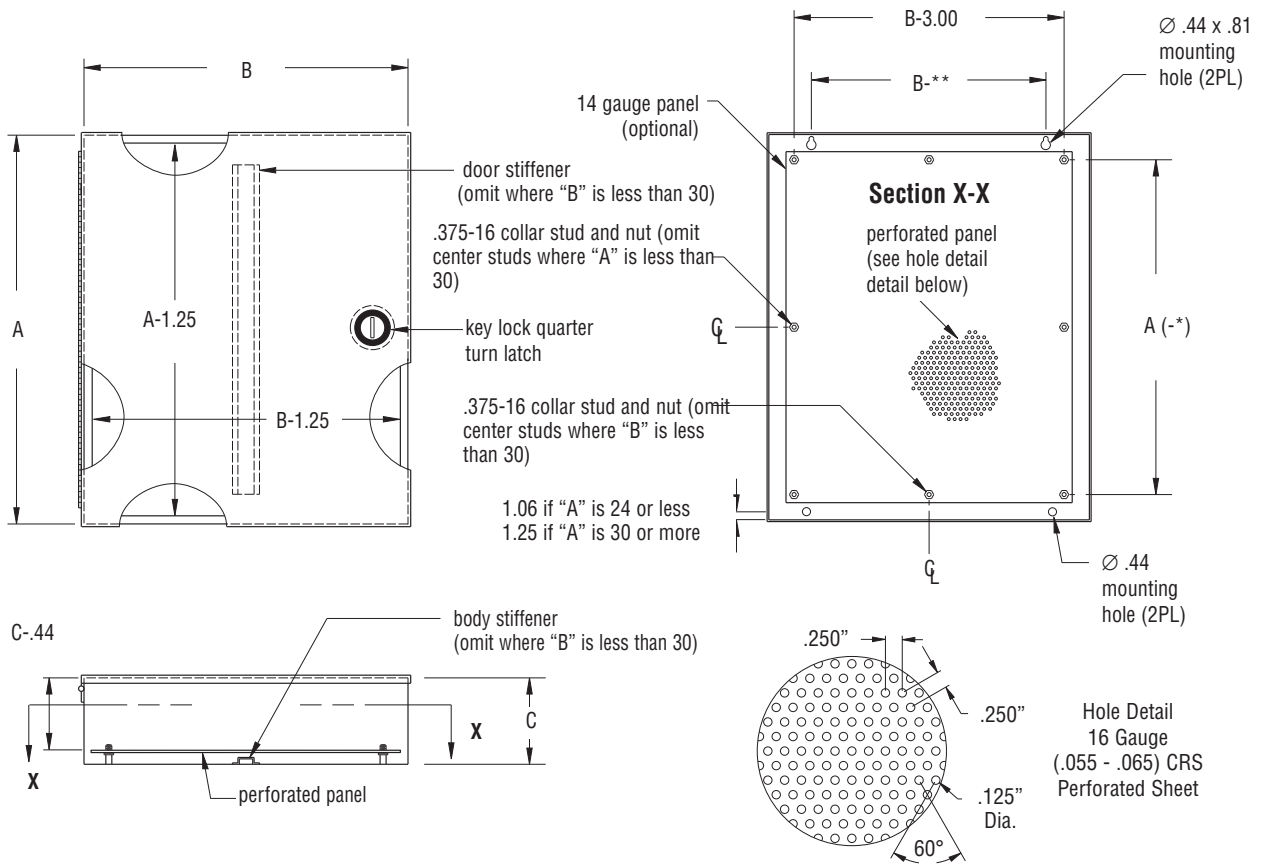
### Dimensional Data

UPC Number	Catalog Number	Height x Width x Depth A x B x C (in.)	Enclosure Gauge	Perforated Panel Size (in.)	List Price Dollars (each)	SD Code
78205147765	12126-1PP (s)	12.0 x 12.0 x 6.0	16	10.25 x 10.25	141.00	A
78205148056	16126-1PP	16.0 x 12.0 x 6.0	16	13.00 x 10.50	165.50	C
78205148057	20166-1PP (s)	20.0 x 16.0 x 6.0	16	17.00 x 14.50	256.90	B
78205148058	24206-1PP (s)	24.0 x 20.0 x 6.0	14	21.00 x 18.50	308.70	B
78205148059	36246-1PP	36.0 x 24.0 x 6.0	14	32.00 x 22.50	369.90	C
78205147766	36306-1PP	36.0 x 30.0 x 6.0	14	32.00 x 28.50	508.50	D

**Drawings for 12126-1PP**



**Drawings for 16126-1PP, 20166-1PP, 24206-1PP, 36246-1PP, 36306-1PP**



For millimeters (mm) multiply the inches (in.) times 25.4

## Other Cooper B-Line Product Lines

Strut Systems (Bolted Framing)  
Cable Tray Systems  
Electrical Enclosures  
Electronic Enclosures  
Pipe Hanger & Support Systems  
Spring Steel Fasteners  
Cable Runway & Relay Racks (CommData)  
Meter Mounting & Distribution Equipment  
Anchors

ENCPPE-08

### Cooper B-Line

509 West Monroe Street  
Highland, IL 62249  
Phone: 800-851-7415  
Fax: 618-654-1917

[www.cooperblines.com](http://www.cooperblines.com)



**SYSTEMS THAT MAKE SENSE**

Cooper Industries, Ltd.  
600 Travis, Ste. 5800  
Houston, TX 77002-1001  
Phone: 713-209-8400  
[www.cooperindustries.com](http://www.cooperindustries.com)