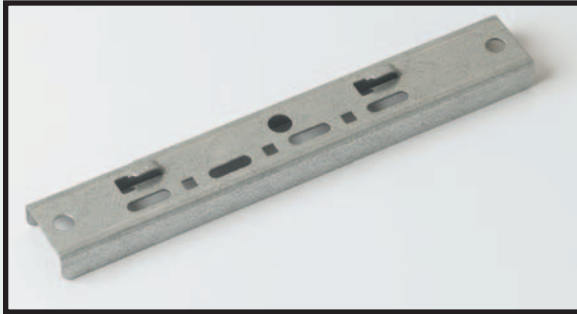


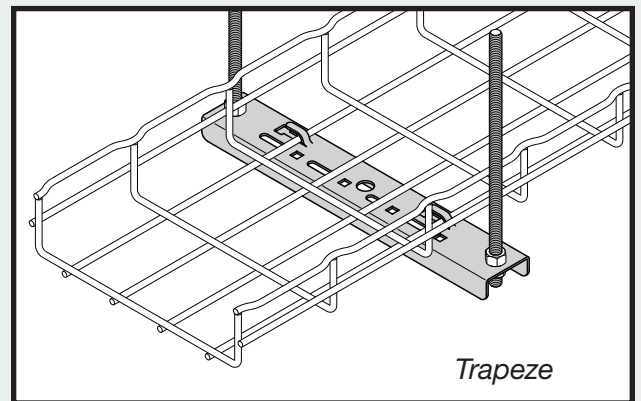
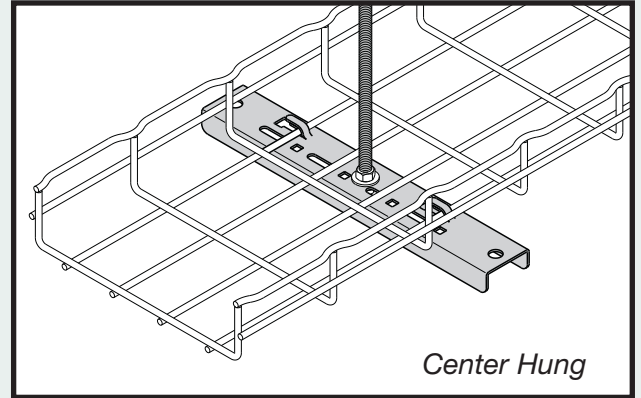
New FLEXTRAY® Center/Trapeze Hanger

One hanger for use as a center-hung or traditional trapeze



Features

- Can be installed as center-hung or traditional trapeze hanger
- Multiple options to secure Flextray to hanger
 - Built in hold down tabs (use screwdriver to bend down tab)
 - Compatible with TOOLLESS CLIP with snap-in locking pin
 - Compatible with WBUHD hold down clip when tray crosswire is aligned over top of hanger
 - Slots and holes for optional hardware attachment
- Corrosion resistant pre-galvanized zinc finish (other finishes available upon request)
- Center hole for up to 1/2" rod
- Hole on each end for up to 3/8" rod
- Threaded rod protector available (SB301- 1/2 x 8)



TOOLLESS CLIP



SB301

Part Number	Use With Tray Width
FTB06CT	6" (150mm)
FTB08CT	8" (200mm)
FTB12CT	12" (300mm)
FTB16CT	16" (400mm)
FTB18CT	18" (450mm)
FTB20CT	20" (500mm)
FTB24CT	24" (600mm)

Flextray • BA198FT

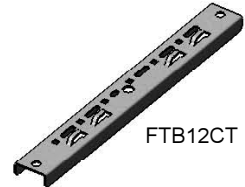
CATALOG NUMBER	FLEXTRAY WIDTH (MAX)	LENGTH		A		B		WT/PC	
		IN	MM	IN	MM	IN	MM	LBS	KG
FTB06CT	6"	9.78	248.4	8.78	223.0	3.84	97.6	0.61	0.3
FTB08CT	8"	11.75	298.5	10.75	273.1	5.38	136.5	0.74	0.3
FTB12CT	12"	15.69	398.5	14.69	373.1	7.34	186.5	0.98	0.4
FTB16CT	16"	19.63	498.5	18.63	473.1	9.31	236.5	1.61	0.7
FTB18CT	18"	21.59	548.5	20.59	523.1	9.75	247.7	1.77	0.8
FTB20CT	20"	23.56	598.5	22.56	573.1	11.28	286.5	1.93	0.9
FTB24CT	24"	27.50	698.5	26.50	673.1	13.25	336.6	2.25	1.0



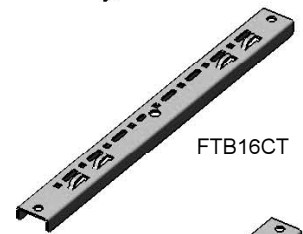
FTB06CT



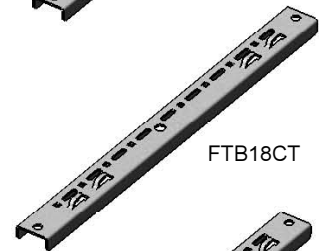
FTB08CT



FTB12CT



FTB16CT



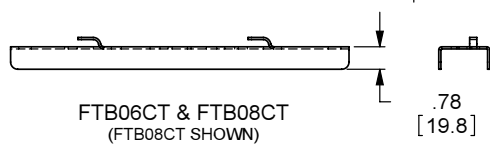
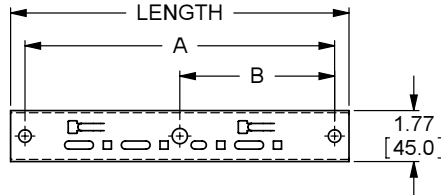
FTB18CT



FTB20CT

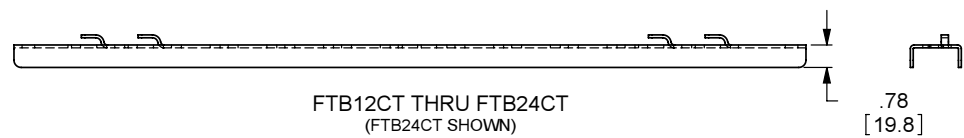
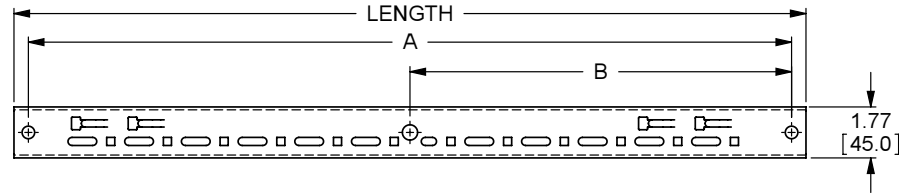


FTB24CT



FTB06CT & FTB08CT
(FTB08CT SHOWN)

DIMENSIONS IN BRACKETS []
ARE MILLIMETERS



FTB12CT THRU FTB24CT
(FTB24CT SHOWN)

- MATERIAL:
 - FTB06CT THRU FTB12CT - 14GA GALVANIZED STEEL
 - FTB16CT THRU FTB24CT - 12GA GALVANIZED STEEL
 - (CONSULT CUSTOMER SERVICE FOR AVAILABILITY OF ALTERNATE MATERIALS & FINISHES)
- USED AS TRAPEZE SUPPORT:
 - ACCEPTS UP TO \varnothing 3/8" THREADED ROD (ORDER THREADED ROD & HARDWARE SEPARATELY)
- USED AS CENTER HANGER:
 - ACCEPTS UP TO \varnothing 1/2" THREADED ROD
 - FTB06CT (FOR 6" [150] WIDE TRAY) & FTB18CT (FOR 18" [450] WIDE TRAY) HAVE SLIGHTLY OFFSET CENTER HOLES TO ALLOW HANGER ROD TO FIT PROPERLY BETWEEN WIRE GRID
 - USE ROD PROTECTOR (CAT. NO SB301-1/2X8, ORDER SEPARATELY) TO PROTECT CABLES FROM THREADED ROD
- MULTIPLE METHODS AVAILABLE FOR SECURING FLEXTRAY TO BRACKET:
 - BUILT-IN BEND TABS
 - HOLD-DOWN CLAMP (ORDER SEPARATELY)
 - TOOLLESS CLIP (ORDER SEPARATELY)